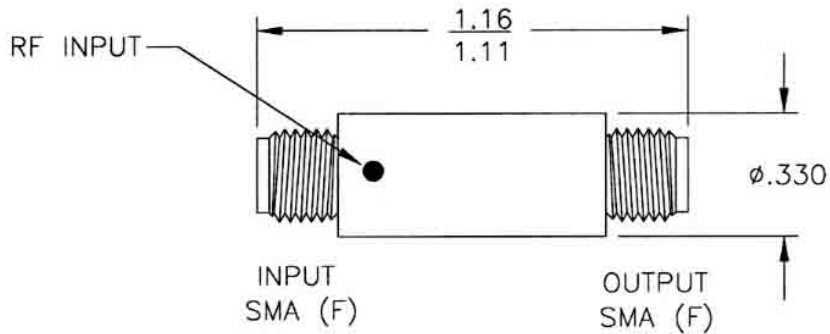
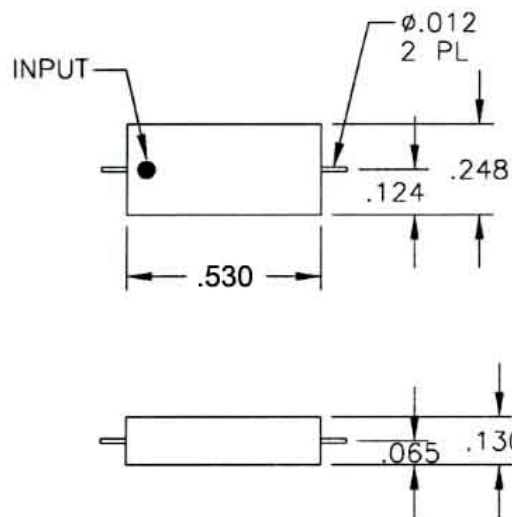


OUTLINE B

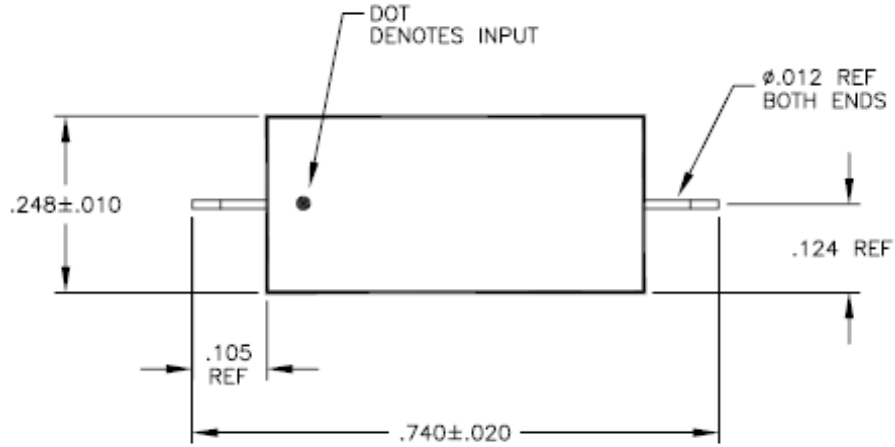
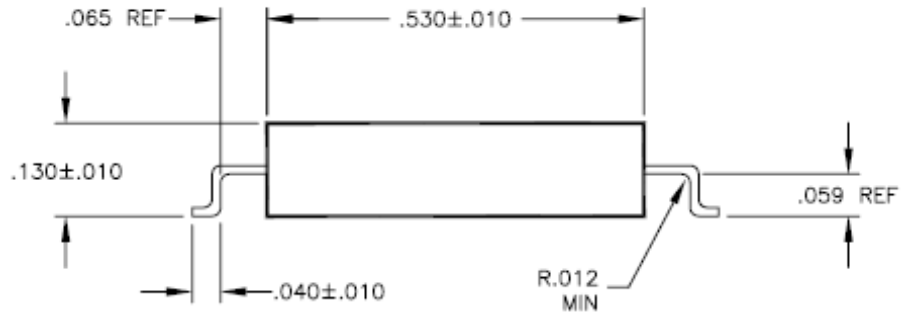


OUTLINE BF



OUTLINE L

NOTE: BLACK DOTS SHOWN INDICATE RF INPUT



OUTLINE LB